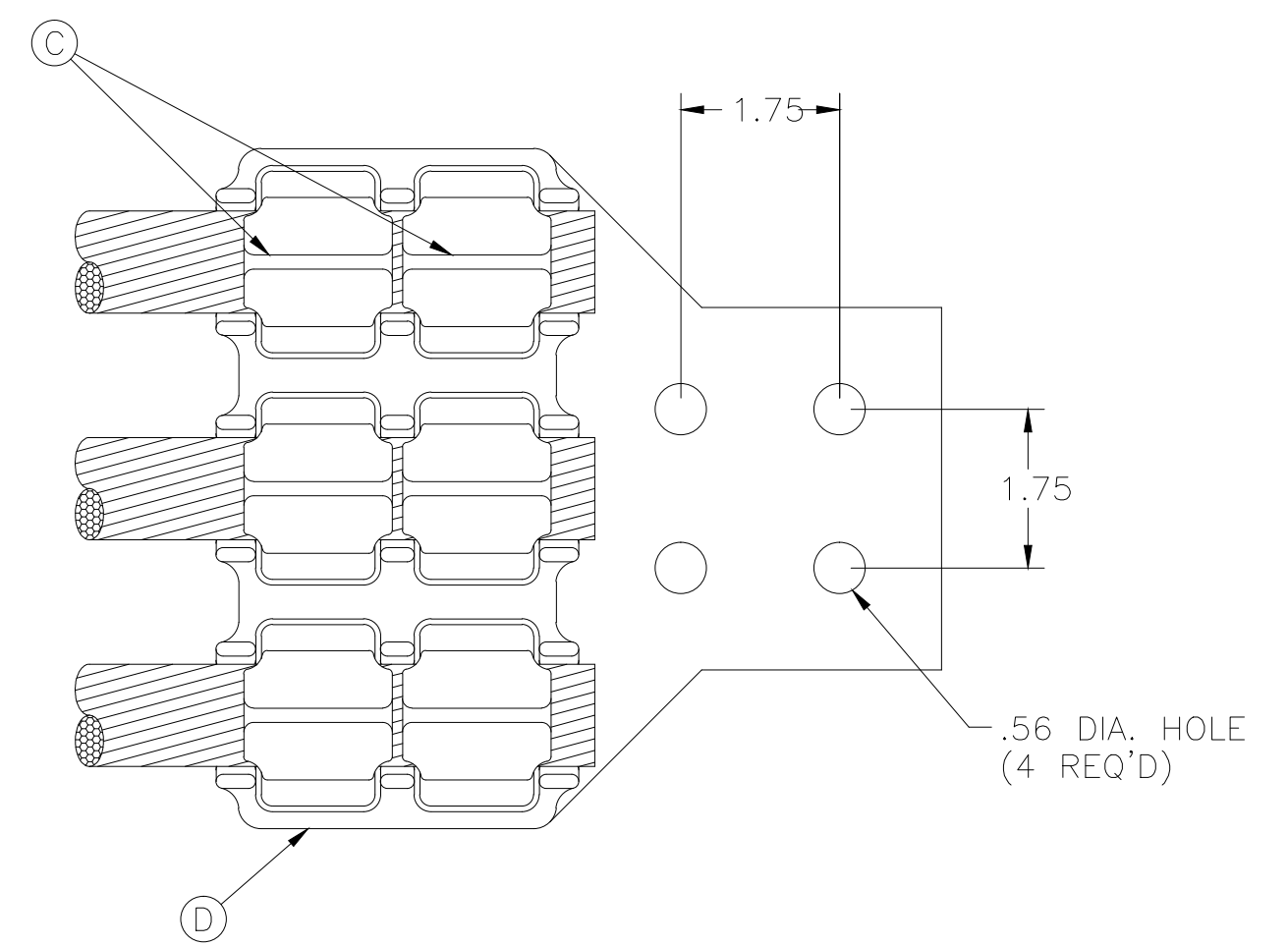
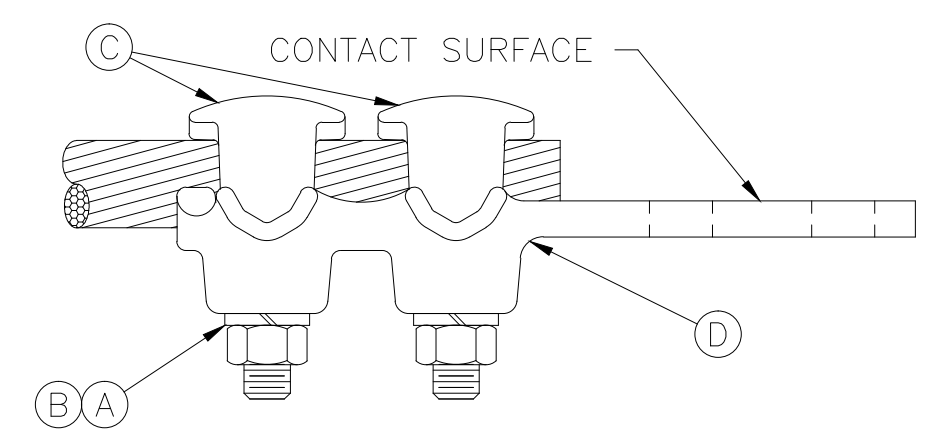
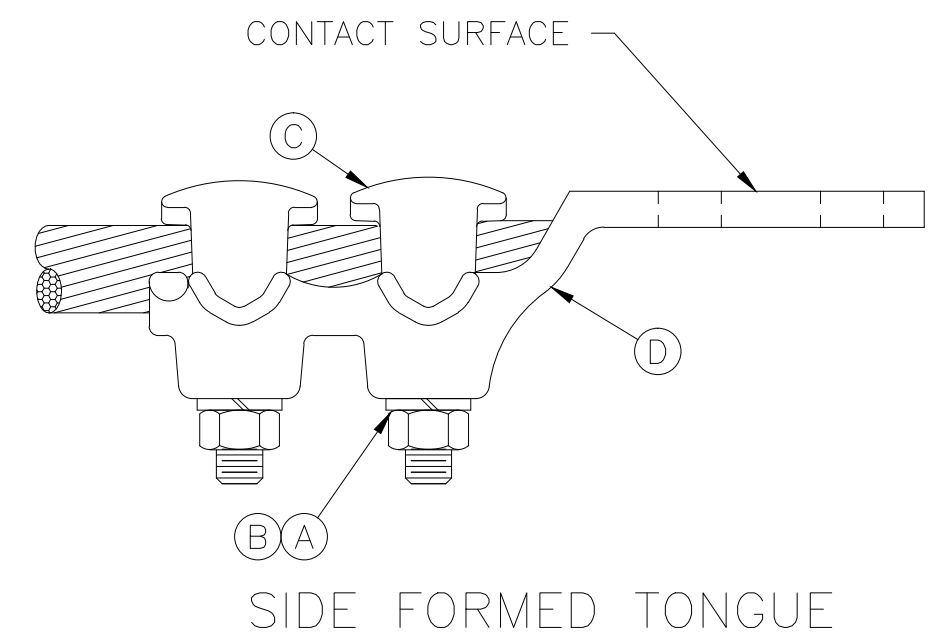
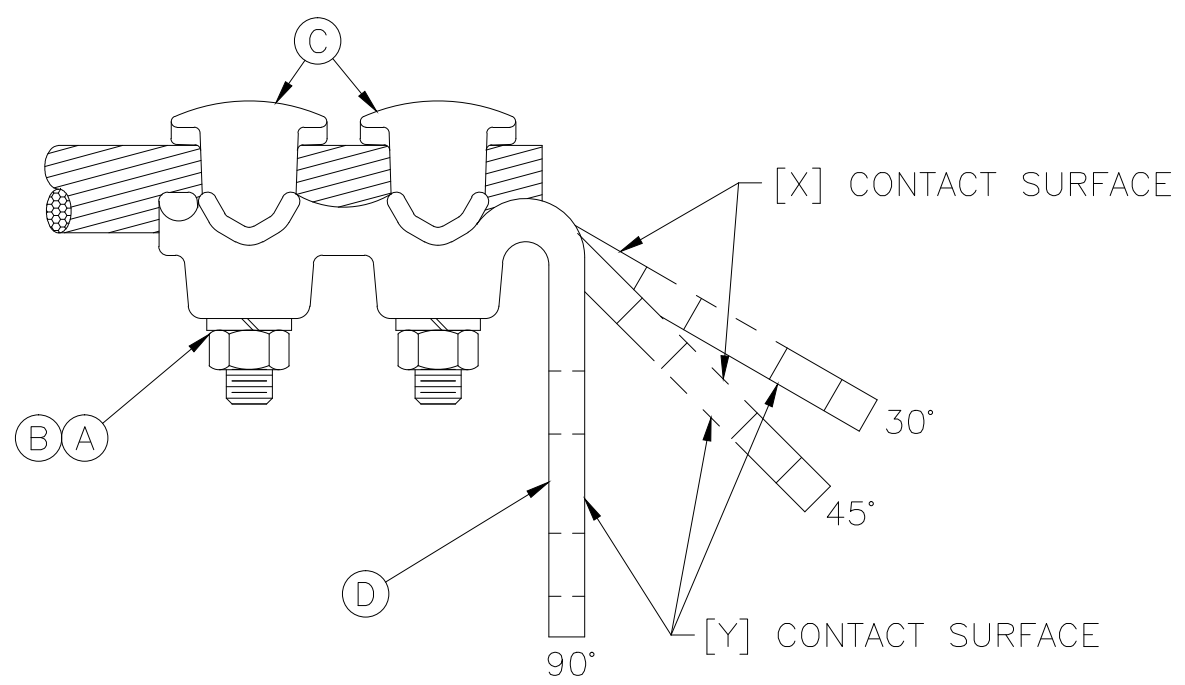


PART NUMBER	DESCRIPTION	ITEM															
			VL3D61DH	VL3D61DHSF	VL3D61DH90	VL3D89CHSF	VL3D89CHSFTP	VL3D89DH	VL3D89DHTP	VL3D89DHX45	VL3D89DHY45	VL3D89DHY90	VL3D89DHY90TP	VL3D92DH	VL3D92DHSF	VL3D92DHY90	VL3D92DHY90TP
1042610000	NUT, ED FIN 1/2 13	A	6	6	6	6	6	6	6	6	6	6	6	6	6	6	6
1074570000	WASHER, PB EVERLOCK EXT 1/2	B	6	6	6	6	6	6	6	6	6	6	6	6	6	6	6
5003781000	EYEBOLT, NO. 62	C	6	6	6												
5004571000	EYEBOLT, NO. 92	C											6	6	6		
5004571050	EYEBOLT, NO. 92 'TP'	C															6
5021570000	EYEBOLT, NO. 89	C				6		6									
5021570050	EYEBOLT, NO. 89 TP	C					6		6				6				
5045920000	BODY, VL3D 61 D H	D	1														
5072150000	BODY, VL3D 61 D H SF	D		1													
5075200000	BODY, VL3D 89 C H SF	D				1											
5075200050	BODY, VL3D 89 C H SF TP	D					1										
5098040000	BODY, VL3D 89 D H	D						1									
5098040050	BODY, VL3D 89 D H TP	D							1								
5135650190	BODY, VL3D 89 D H Y90	D									1						
5135650570	BODY, VL3D 89 D H Y90 TP	D										1					
5141570150	BODY, VL3D 89 D H X45	D							1								
5141570160	BODY, VL3D 89 D H Y45	D								1							
5150710000	BODY, VL3D 92 D H	D										1					
5157260000	BODY, VL3D 92D H SF	D											1				
5172810190	BODY, VL3D 61 D H Y90	D			1												
5252850190	BODY, VL3D 92 D H Y90	D													1		
5252850570	BODY, VL3D 92 D H Y90 TP	D														1	



SPECIAL TONGUE ANGLES



- NOTES:
- 1) NEMA DRILLED 4 HOLE PADS ARE PROVIDED AS SHOWN UNLESS SPECIFIED.
 - 2) MATERIAL: BODY - ELECTRICAL BRONZE
EYEBOLT - HIGH STRENGTH BRONZE
HARDWARE - HEX BRONZE NUTS AND SPUR-TYPE LOCKWASHERS.
 - 3) FOR 'TP' SUFFIX TIN PLATE PER ANDERSON SPEC. 7606 (BODY AND EYEBOLT).

63199	12/11/15	WJI	WJI	ANDERSON TOLERANCE CHART	HUBBELL® POWER SYSTEMS TITLE TERMINAL CONNECTOR 3 CABLES TO FLAT
EC #	DATE	CHG BY	RESP ENG		
DESC OF DWG: ADD VL3D89DHY45				CONFIDENTIAL: THIS DRAWING AND ITS CONTENTS ARE CONFIDENTIAL AND THE EXCLUSIVE PROPERTY OF HUBBELL POWER SYSTEMS. NO PUBLICATION, DISTRIBUTION OR COPIES MAY BE MADE WITHOUT THE WRITTEN CONSENT OF HUBBELL POWER SYSTEMS. HUBBELL POWER SYSTEMS UNPUBLISHED ALL RIGHTS RESERVED UNDER THE COPYRIGHT LAWS.	SIZE C DWG NO. C-4818 CAT / PART / ASSY NO. SEE CHART REV 09
REASON (S) FOR CHANGE: -- DISPOSITION OF MAT'L: --					DO NOT SCALE THIS DRAWING DRN BY WJI DATE 12/24/00 SHEET 2 OF 2